

i.rod™ spec sheet

LED

body illumination

Heilux LumaFilm® flexible planar LED lighting sheet in 3000K, 3500K, or 4000K (85CRI), utilizing emitters rated at >77,000hrs L70 per TM21-11 from LM80 data. (90 CRI, please contact factory). white power cord standard.

downlight

Bridgelux Vero series in 3000K, 3500K, or 4000K (80CRI), with rated life of >50,000hrs L70 per IES TM21. optional 90cri (see below).

driver

in canopy, class 2, universal input (120-277v), constant current, 0-10v dimming, 1% minimum dimming level, PF >.9, THD <20%, protections include open and short circuit, overload and over temperature.

diffuser

6" dia. .118" Satinice white acrylic cylinder, featuring light diffusion beads evenly distributed throughout the material for optimum light diffusion.

mounting

7"/10"dia. spun aluminum canopy in matte white dual stainless steel cables and field adjustable grippers that allow for exact AFF mounting heights.

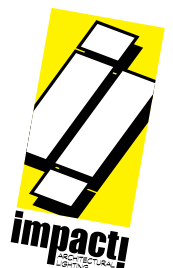
emergency

if required, recommend use of inverter (by other).

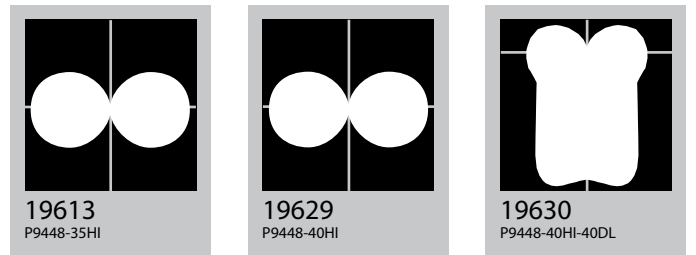
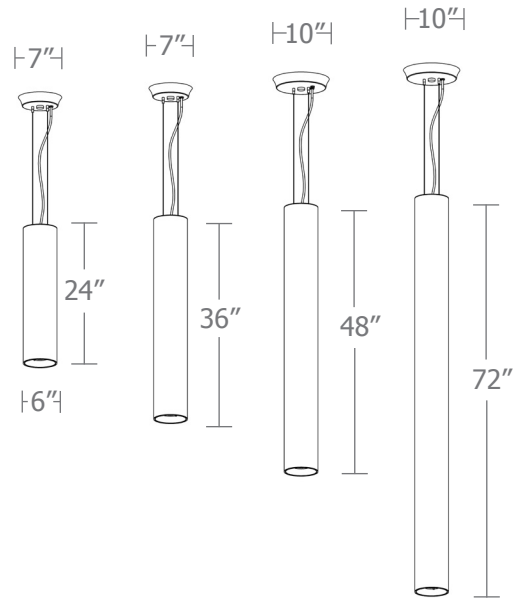


catalog number

size	body illumination	downlight	power cord	options
P9424 (2ft) 6"dia X 24"ht	30LO 3000K 30HI 3000K	NDL no downlight 30LO 3000K 35LO 3500K	WHPC white power cord and canopy SBPC silver braid power cord and canopy	6FT 72" cables 12FT 144" cables 90CRI DCDM dual circuit dimming body/downlight
P9436 (3ft) 6"dia X 36"ht	35LO 3500K 35HI 3500K	40LO 4000K 30HI 3000K		
P9448 (4ft) 6"dia X 48"ht	40LO 4000K 40HI 4000K	35HI 3500K 40HI 4000K		
P9472 (6ft) 6"dia X 72"ht	CL* xxxxlm *custom lumens consult factory. (see page 2 for delivered lumens)	CL* xxxxlm *custom lumens consult factory. (400lm-2300lm) canopy size may vary		



Cat No	Delivered Lumens	Watts		Amps	
		120V	277V	120V	277V
P9424 LO		15	15	0.12	0.05
4000K	1167				
3500K	1097				
3000K	1004				
P9424 HI		19	19	0.16	0.07
4000K	1513				
3500K	1423				
3000K	1301				
P9436 LO		22	22	0.18	0.08
4000K	1816				
3500K	1707				
3000K	1562				
P9436 HI		35	35	0.29	0.13
4000K	2897				
3500K	2723				
3000K	2491				
P9448 LO		31	31	0.26	0.11
4000K	2510				
3500K	2606				
3000K	2159				
P9448 HI		52	52	0.44	0.19
4000K	4483				
3500K	4289				
3000K	3855				
P9472 LO		44	44	0.36	0.16
4000K	3766				
3500K	3540				
3000K	3239				
P9472 HI		70	70	0.58	0.25
4000K	6007				
3500K	5647				
3000K	5166				



Cat No	Delivered Lumens	Watts		Amps	
		120V	277V	120V	277V
Downlight		18	18	.15	.07
40 LO	1500				
35 LO	1470				
30 LO	1440				
		26	26	.22	.10
40 HI	2300				
35 HI	2250				
30 HI	2210				

