

## i.rod.4™ spec sheet

### LED

flexible planar LED lighting sheet in 3000K, 3500K, or 4000K (90CRI), utilizing emitters rated at >77,000hrs L<sub>70</sub> per TM21-11 from LM80 data. white power cord standard. optional silver braid power cord.

### end caps

.100" thick aluminum powder coat painted matte white.

### driver

in canopy, class 2, class P universal input (120-277v), constant current, 0-10v dimming, 1% minimum dimming level, PF >.9, THD <20%, protections include open and short circuit, overload and over temperature.

### diffuser

4" dia. .118" Satinice white acrylic cylinder, featuring light diffusion beads evenly distributed throughout the material for optimum light diffusion.

### mounting

7"dia. spun .064" aluminum canopy in matte white, single stainless steel cable and field adjustable gripper that allows for exact AFF mounting heights.

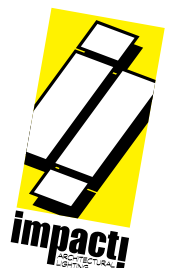
### emergency

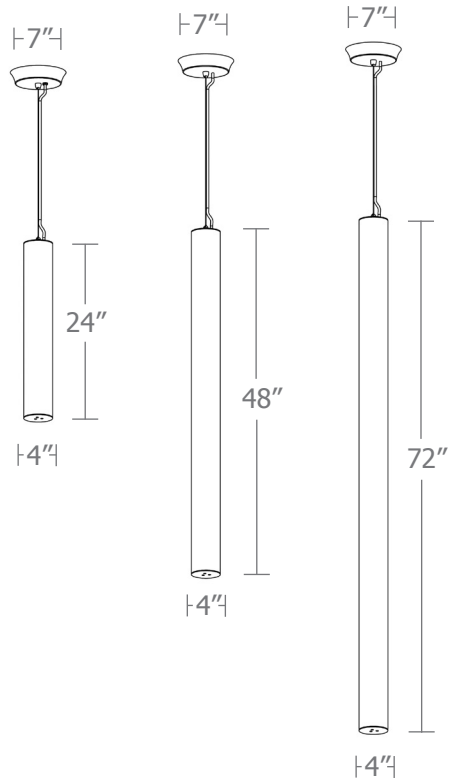
recommend use of inverter (by other).  
 optional WREM: wired for remote EM battery (by other).



## catalog number

size	CCT	lumens	power cord	options
<b>P9324 (2ft)</b> 4"dia X 24"ht	<b>30</b> 3000K <b>35</b> 3500K <b>40</b> 4000K	<b>LO</b> 1200 lm <b>HI</b> 2150 lm <b>CL*</b> xxxx lm (940lm-3200lm) <small>custom lumens consult factory</small>	<b>WHPC</b> white power cord and canopy <b>SBPC</b> silver braid power cord and white canopy	<b>6FT</b> 72" cables <b>12FT</b> 144" cables <b>WREM</b> wired for remote EM battery pack <small>(by other) (see note above)</small>
<b>P9348 (4ft)</b> 4"dia X 48"ht	<b>30</b> 3000K <b>35</b> 3500K <b>40</b> 4000K	<b>LO</b> 2400 lm <b>HI</b> 4300 lm <b>CL*</b> xxxx lm (1900lm-6450lm) <small>custom lumens consult factory</small>		
<b>P9372 (6ft)</b> 4"dia X 72"ht	<b>30</b> 3000K <b>35</b> 3500K <b>40</b> 4000K	<b>LO</b> 3600 lm <b>HI</b> 6450 lm <b>HX</b> 7500 lm <b>CL*</b> xxxx lm (3000lm-9100lm) <small>custom lumens consult factory</small>		





Cat No	Delivered Lumens*	Watts		Amps	
		120V/277V	120V	277V	277V
<b>P9324 LO</b>	1200	13	0.12	0.05	
<b>P9324 HI</b>	2150	23	0.16	0.07	
<b>P9348 LO</b>	2400	25	0.21	0.09	
<b>P9348 HI</b>	4300	45	0.37	0.16	
<b>P9372 LO</b>	3600	38	0.31	0.14	
<b>P9372 HI</b>	6450	68	0.57	0.25	
<b>P9372 HX</b>	7500	79	0.66	0.29	

\*preliminary delivered lumens based on 4000K, 90 cri

