

na.row™ spec sheet 90CRI direct

material
 3.5" dia. smooth extruded aluminum outer housing in four lengths available in 15 standard powder coat paint finishes listed below.

LED
 COB in 2700K, 3000K, 3500K, or 4000K 90 cri standard rated >36,000 hours L70 (6.8K) per LM-80 test data, and 71,000 hours projected life per IES TM-21.

downlight optics
 LEDiL® Angelina 82mm dia 31mm high (RoHS compliant) available in 20° spot, 30° medium, 50° wide with specular anodized finish. 90° extra wide features matte white highly reflective finish. color mixing sublens standard. standard mounting clamp allows for easy replacement of reflector in field. the typical total beam angle is the full angle measured where the luminous intensity is half of the peak volume.

driver
 constant current, class P, class 2 power unit, class A sound rating, universal input (120-277V) programmable driver, 5% minimum dimming level, PF >0.90. protections include short circuit, input/output isolation and surge protection (3KV). wired for 0-10v dimming from factory.

mounting standard
 driver in junction box (requires 2 1/8" deep electrical box). ultrathin vertical stainless steel cable and field adjustable gripper that allow for exact AFF mounting heights. cloth-covered power cord color options listed below. cloth cord requires special stripping tool (link). 5" dia canopy painted to match fixture.

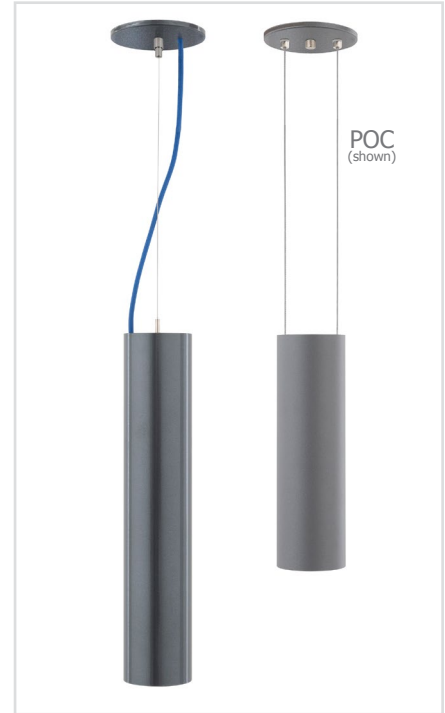
canopy mounted driver (CDVR) (optional)
 5" dia canopy with 3.5" x 3.5" extruded aluminum painted to match fixture (see image below)

remote enclosure (.LV) (optional)
 the standard driver can be remote mounted up to 33ft from the LED. suspension length should be considered in distance. remote enclosure supplied. for distances greater than 33ft consult factory. for Chicago Plenum installation consult factory.

power over cable (POC) (optional)
 Class 2 LED powered suspension system that suspends and powers the fixture with thin stainless steel copper-core conductive cables, providing a clean look without the need for a separate power cord. powered suspension requires cable cutter (link) specifically designed to cut stainless steel aircraft cable from 1/32" to 1/8".

finish
 select from 15 standard powder coat paint finishes listed below or specify RAL# for custom colors.

emergency
 if required, recommend use of inverter (by other).



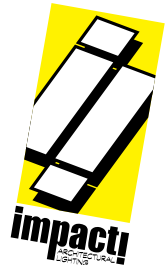
catalog number

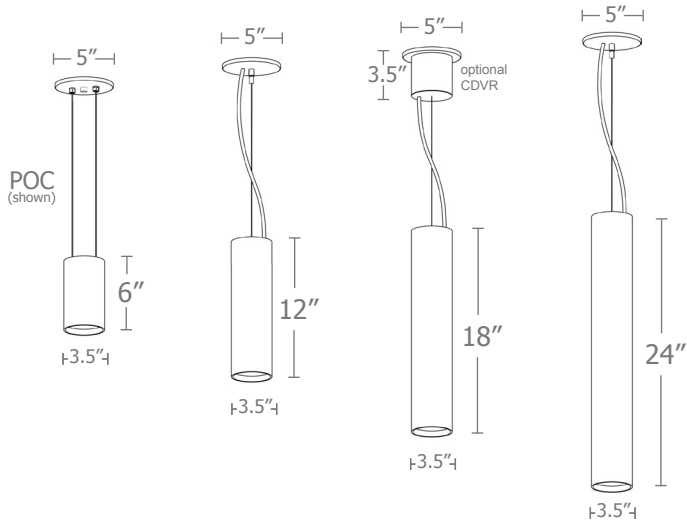
--	--	--	--	--	--	--

size	beam	CCT	lumens	painting finish	power cord	options
P7606 driver in j-box P7606.LV remote enclosure 3.5" dia X 6" ht	S 20° spot M 30° med W 50° wide XW 90° extra wide	27 2700K 30 3000K 35 3500K 40 4000K	L1 395 lm L2 695 lm L3 995 lm H1 1390 lm H2 1985 lm H3 2780 lm	AP anodized paint BS brass BU blue BZ bronze CP champagne FB flat black GM gun metal MB military blue MW matte white OR orange RD red SB satin black SS satin silver TG textured gray YO yellow	BUPC blue cloth cord ORPC orange cloth cord PLPC purple cloth cord RDPC red cloth cord WGPC white & gray dot cloth cord POC power over cable WHPC white cord BKPC black cord SBPC silver braid cord	3FT 36" cables 6FT 72" cables CDVR canopy mounted driver

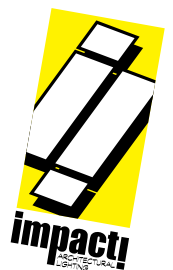
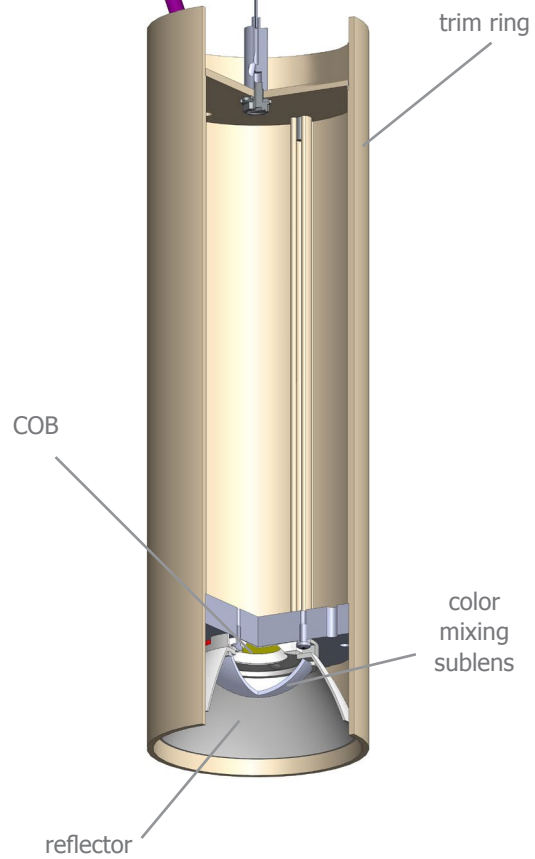
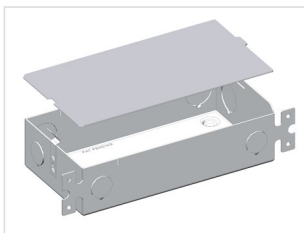
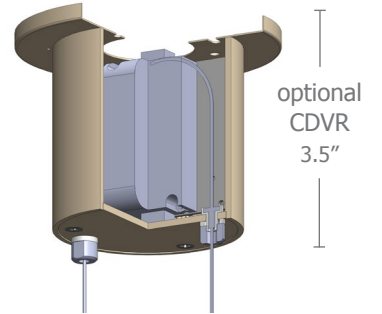
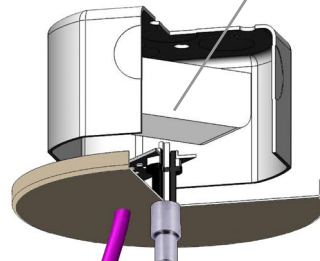


premium finish
 RAL specify RAL#






standard mounting
2 1/8" deep
J-Box required

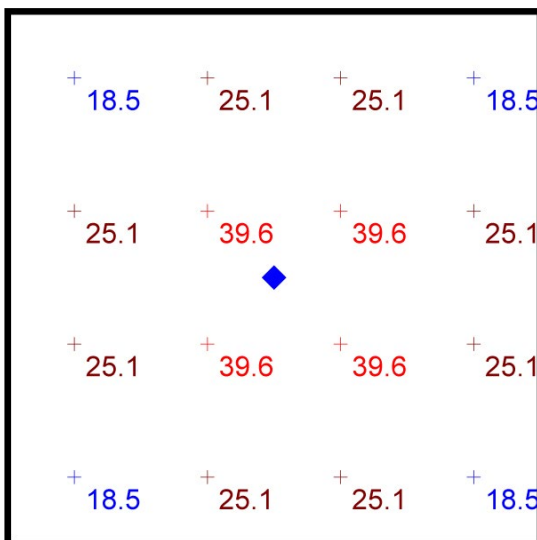




Typical Lighting Layout

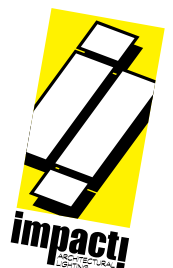
Statistics						
Description	Symbol	Avg	Max	Min	Max/Min	Avg/Min
na.row	+	27.1 fc	39.6 fc	18.5 fc	2.1:1	1.5:1

Schedule						
Symbol	Quantity	Manufacturer	Catalog Number	Description	Lamp	Wattage
	1	Impact Architectural Lighting	P7612 W 40 H3	12" length nar.ow downlight cylinder	4000k 90cri LED	28



Plan View
Scale - 1" = 2ft

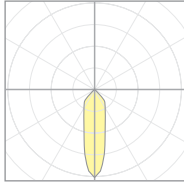
- 8' x 8' x 12'H space
- 80/50/20 reflectances
- bottom of fixture at 10' aff
- FC readings at 2.5' aff
- layout conducted using P7612 with 90 CRI H3 (2780 lm) with wide beam spread



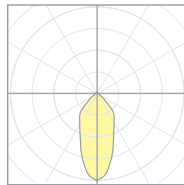
Calculation Table

The application of a Light Loss Factor is required to:

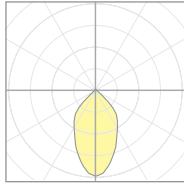
- match the lumen output for the power module specified
- incorporate the increased lumen output due to LED/Driver upgrades



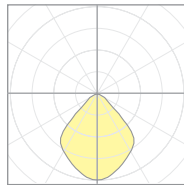
20921
P7506-S-40H3
S 20° spot



20922
P7506-M-40H3
M 30° med



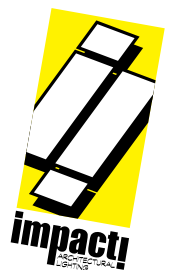
20923
P7506-W-40H3
W 50° wide



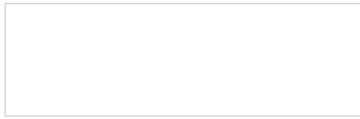
20924
P7506-EW-40H3
XW 90° extra wide

Cat No	Delivered* Lumens	Watts 120V / 277V	IES File #	LLF to be applied
L1	395	4	20921 spot	.12
			20922 med	.12
			20923 wide	.12
			20924 x-wide	.12
L2	695	7	20921 spot	.22
			20922 med	.22
			20923 wide	.22
			20924 x-wide	.22
L3	995	10	20921 spot	.31
			20922 med	.31
			20923 wide	.31
			20924 x-wide	.31
H1	1390	14	20921 spot	.43
			20922 med	.43
			20923 wide	.43
			20924 x-wide	.43
H2	1985	21	20921 spot	.62
			20922 med	.62
			20923 wide	.62
			20924 x-wide	.62
H3	2780	28	20921 spot	.86
			20922 med	.88
			20923 wide	.88
			20924 x-wide	.88

*delivered lumens based on 4000K, 90+ cri



Powder Coat Paint Finishes



MW matte white



AP anodized paint



SS satin silver



TG textured gray



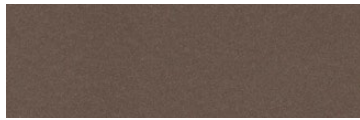
FB flat black



SB satin black



CP champagne



BZ bronze



GM gun metal



OR orange 2011



BU blue 5017



BS brass



RD red 3020



YO yellow 1018



MB military blue

For accurate color verification, actual finish samples are available upon request.

Premium Finishes*



RAL#

*Available on select series. Consult product submittal for availability.

