



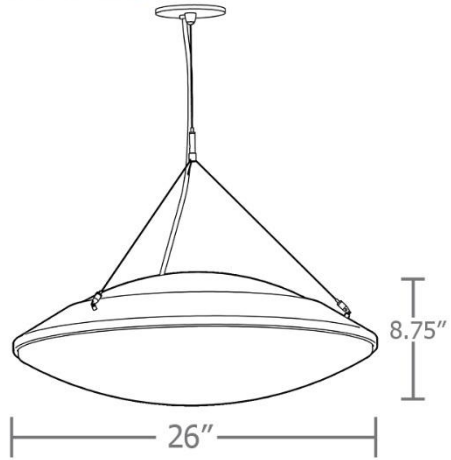
maxx™ 5-slider

your lighting rep has recommended the **maxx™** pendant for your project. Let's take a quick look:

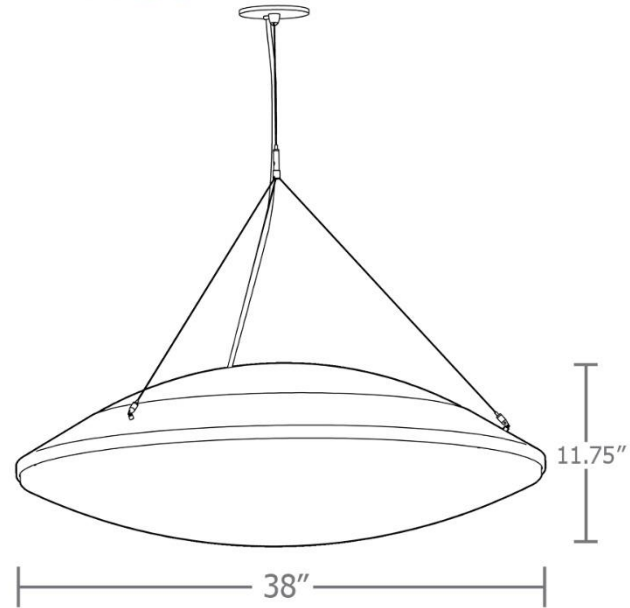


sizes and lumens

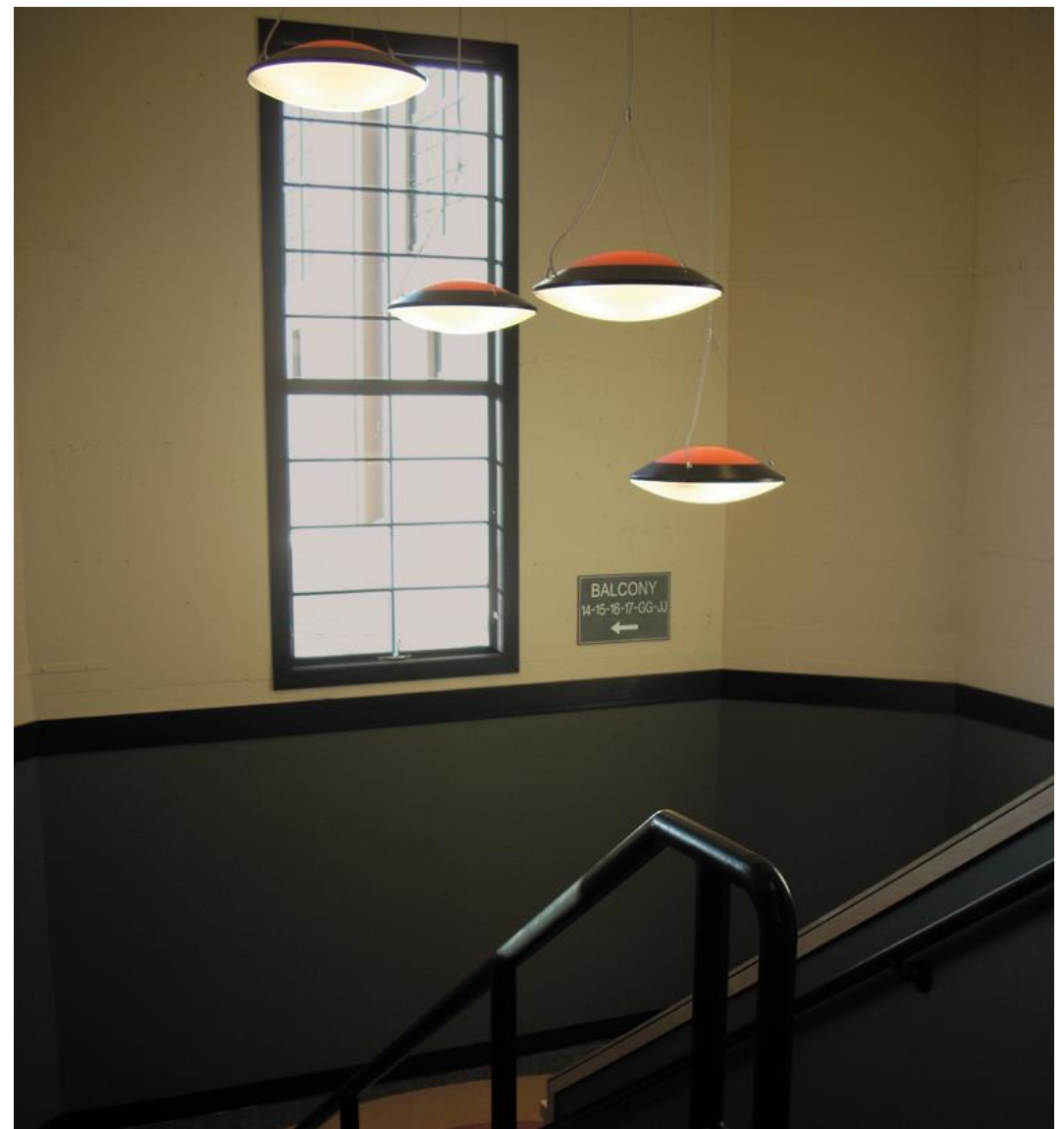
P7726



P7738



- P7726 (2ft) / 2600 – 9700 lm
- P7738 (3ft) / 5150 – 19400 lm



construction

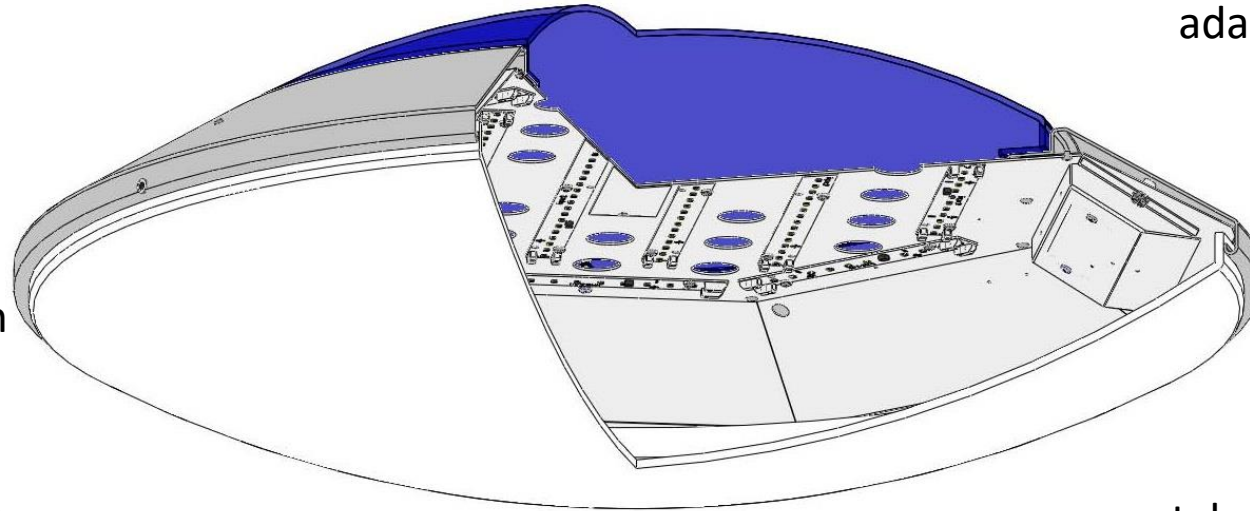
integral programmable drivers,
constant current, field maintainable,
universal input (120-277), 0-10v
controllable to 1% dimming.

precision CNC spun .063"
aluminum housing w/ rolled
bottom edge for added strength

.050" aluminum array optics
platform painted in high reflectance
(>92%) matte white powder coat

subtle glow from .125" thick colored
acrylic top dome in one of four colors:
blue, amber, red, or white

5" dia. spun steel canopy w/ field
adjustable stainless steel cables
allowing for exact desired
mounting height, sloped ceiling
adapter standard



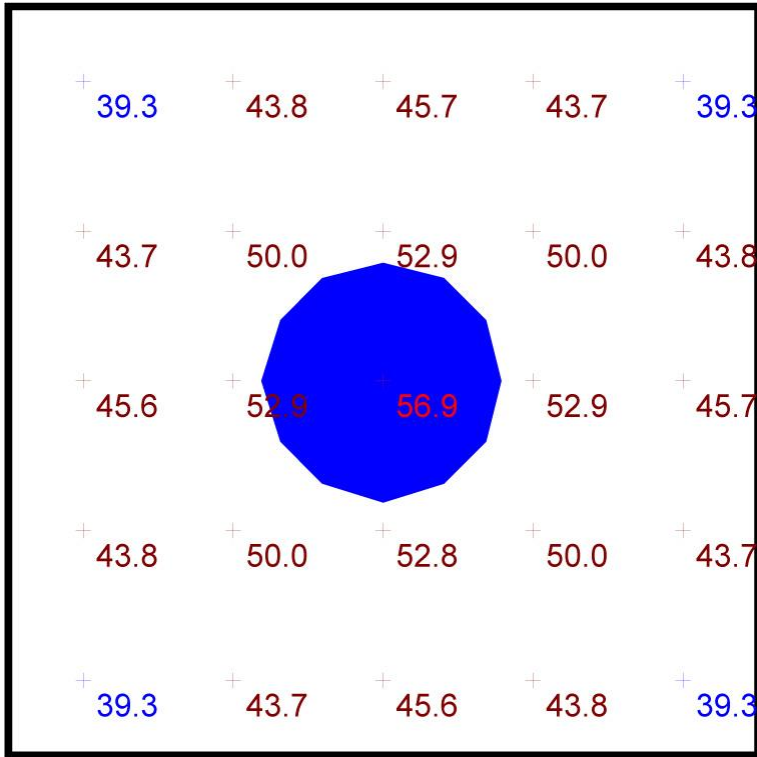
15 standard powder
coat paint finishes
+ custom RAL colors

metal core LED boards
mechanically held in place for
simple field maintenance
3000K, 3500K, 4000K **90 cri**

bottom dome diffuser made from non-glare
low matte acrylic, secured by allen key set
screws recessed into trim ring

performance

Statistics						
Description	Symbol	Avg	Max	Min	Max/Min	Avg/Min
maxx	+	46.3 fc	56.9 fc	39.3 fc	1.4:1	1.2:1



Plan View
Scale - 1" = 2ft

- 10' x 10' x 14'H space
- 80/50/20 reflectances
- bottom of fixture at 12' aff
- FC readings at 2.5' aff
- layout conducted using P7738 CL output (13370 delivered lumens)





www.impactltg.com

- spec sheet and color chart
- photometric files and BIM models
- built to order in Saint Louis, MO, USA
- 4-week lead time

maxx™ 5-slider

