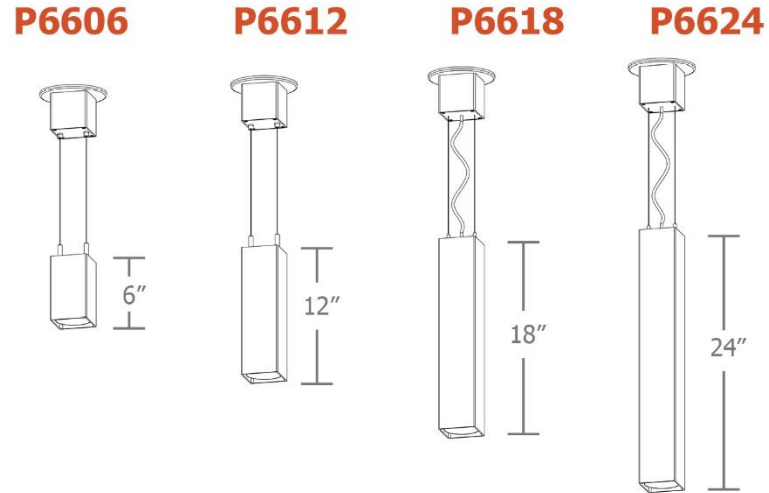


## sq.3™ 5-slider

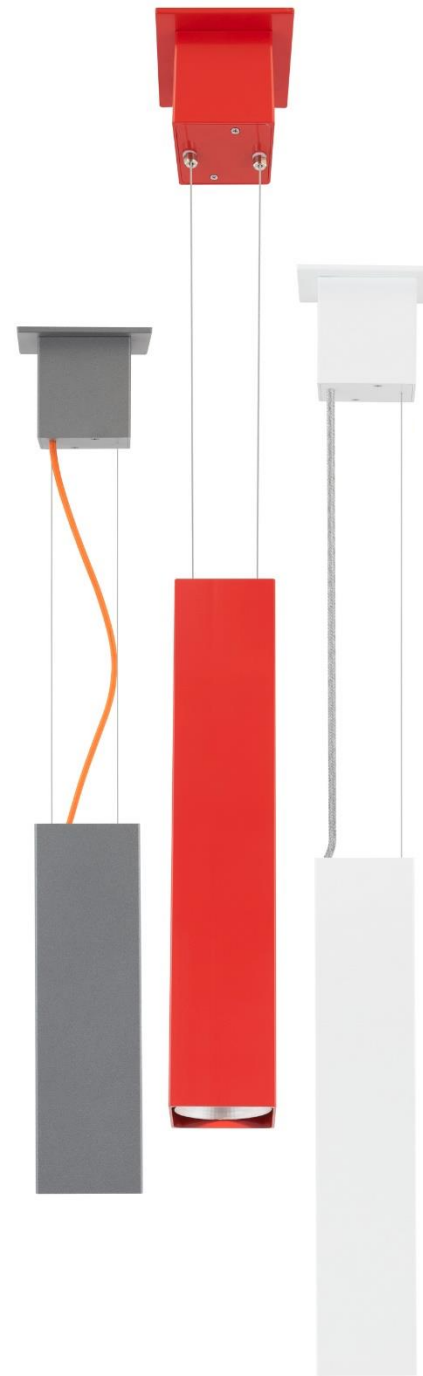
your lighting rep has  
recommended the **sq.3™**  
cylinder pendant for your project  
Let's take a quick look:



# sizes and lumens



- P6606 (06") / 395 – 2780 lm
- P6612 (12") / 395 – 2780 lm
- P6618 (18") / 395 – 2780 lm
- P6624 (24") / 395 – 2780 lm

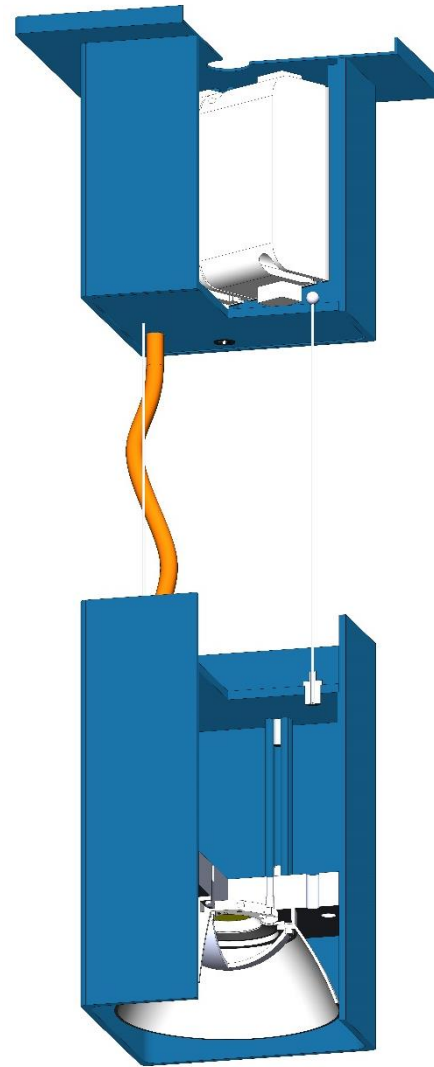


## construction

extruded aluminum canopy with universal mounting bracket for easy clocking, painted to match fixture

canopy mounted driver, constant current, field maintainable, universal input (120-277v), 0-10v controllable to 5% dimming

(POC) power over cable suspension system  
(not shown) option provides a clean look without the need for a separate power cord



dual stainless-steel ultra-thin cables with field adjustable micro-grippers allowing for exact desired mounting height

optional colored cloth power cord in blue, orange, purple, red, or white with gray dot

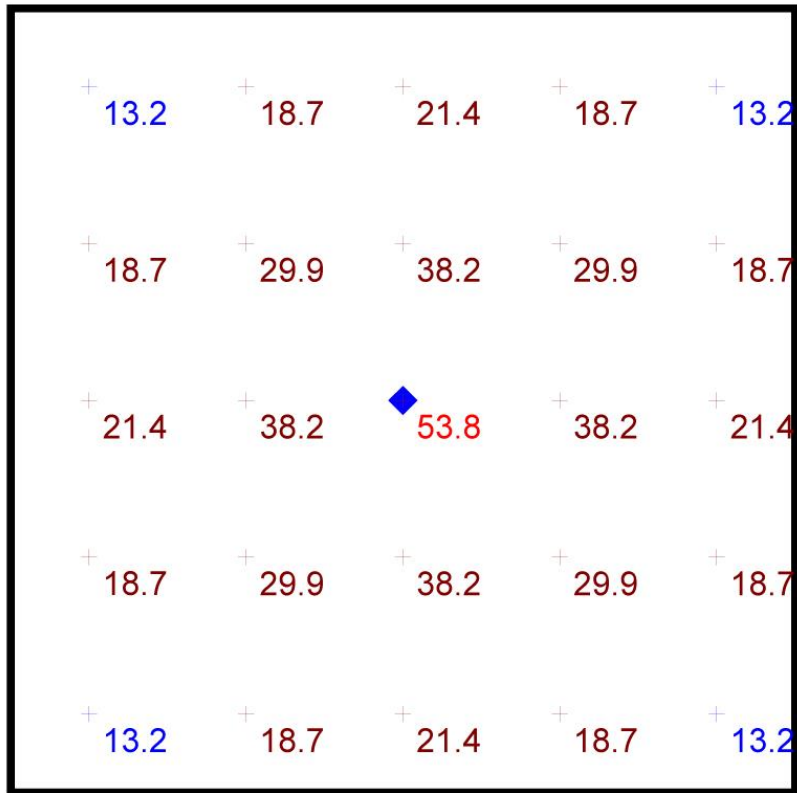
3.5" square smooth extruded aluminum outer housing

15 standard powder coat paint finishes + custom RAL colors

**90cri** LED COB in 2700K, 3000K, 3500K, and 4000K.  
field changeable standard downlight optics: 20° (spot), 30° (med), 50° (wide), 90° (extra wide)

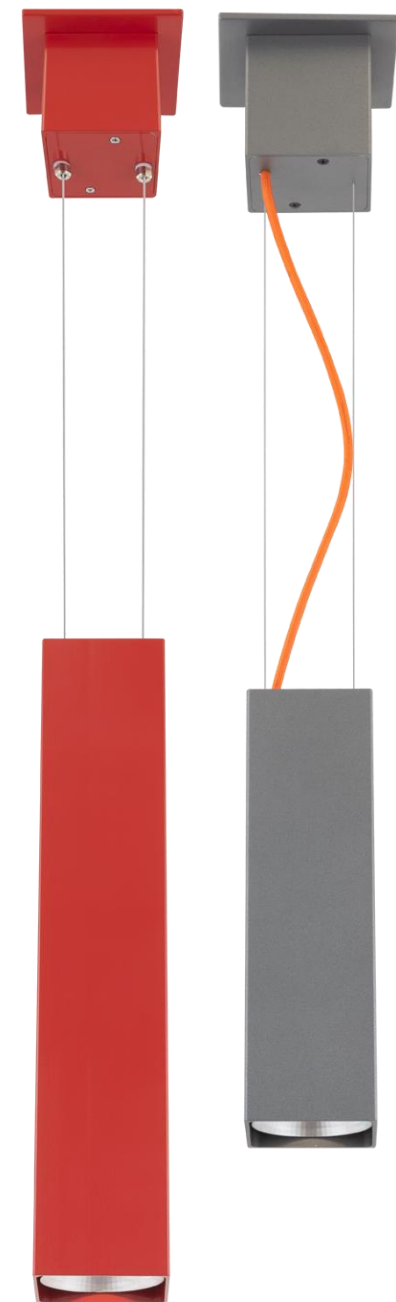
# performance

Statistics						
Description	Symbol	Avg	Max	Min	Max/Min	Avg/Min
sq.3	+	24.6 fc	53.8 fc	13.2 fc	4.1:1	1.9:1



Plan View  
Scale - 1" = 2ft

- 10' x 10' x 14'H space
- 80/50/20 reflectances
- bottom of fixture at 10' aff
- FC readings at 2.5' aff
- layout conducted using P6606-W (H3) output, 2780 delivered lumens w/ 50° beam spread





[www.impactltg.com](http://www.impactltg.com)

- spec sheet and color chart
- photometric files and BIM models
- built to order in Saint Louis, MO, USA
- 4-week lead time

sq.3™ 5-slider

