



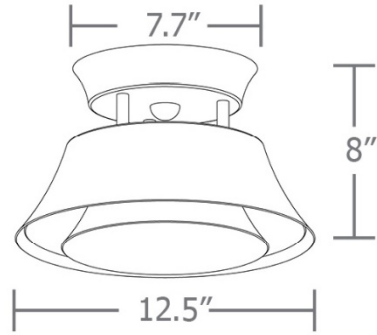
ceiling mount
min!skrt™ 5-slider

your lighting rep has recommended the
ceiling mount min!skrt™
fixture for your project
Let's take a quick look:

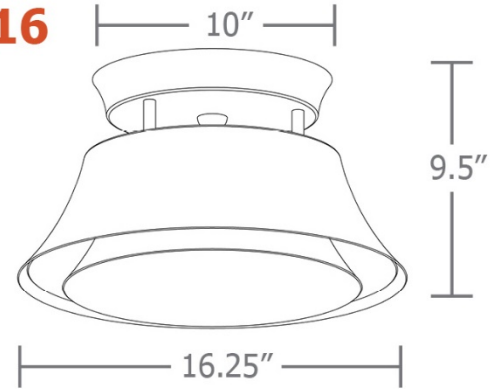


sizes and lumens

C6112



C6116



- C6112 (12") / 1001 – 2645 lm
- C6116 (16") / 2120 – 3970 lm



ceiling mount

min!skrt™ 5-slider

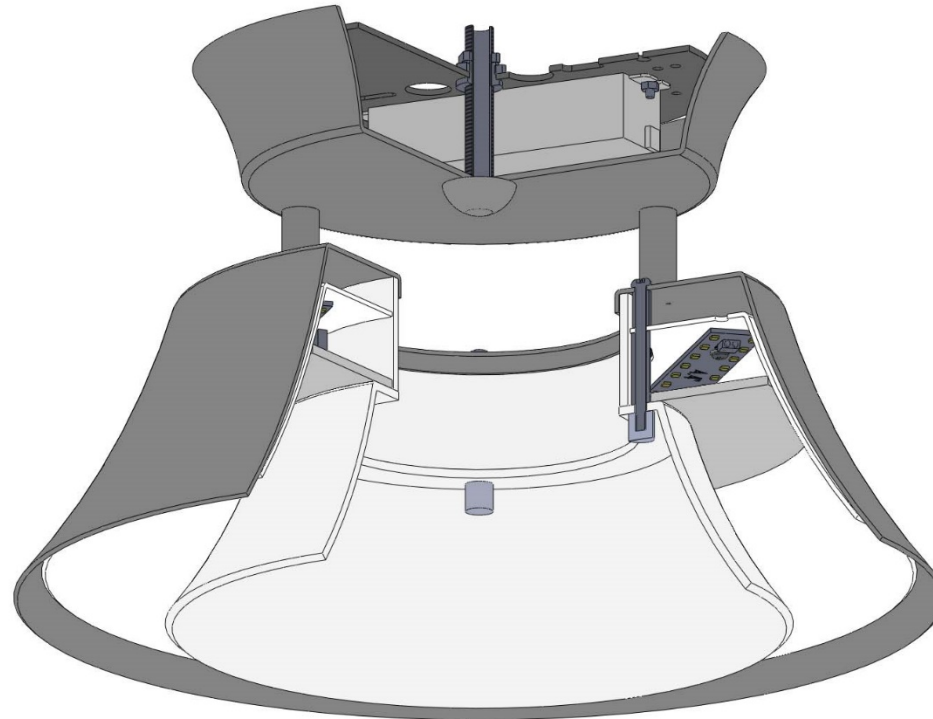


construction

canopy mounted, programmable driver, constant current, universal input (120-277v), field maintainable, 0-10v controllable to 1% dimming.

21 standard powder coat paint finishes
+ custom RAL colors

precision CNC spun aluminum outer housing w/ aluminum liner powder coat painted in high reflectance matte white finish



mounts to standard 4" junction box

metal core LED boards held in place mechanically for easy maintenance

inner diffuser available in either translucent white acrylic or solid spun aluminum, powder coat painted in high reflectance matte white

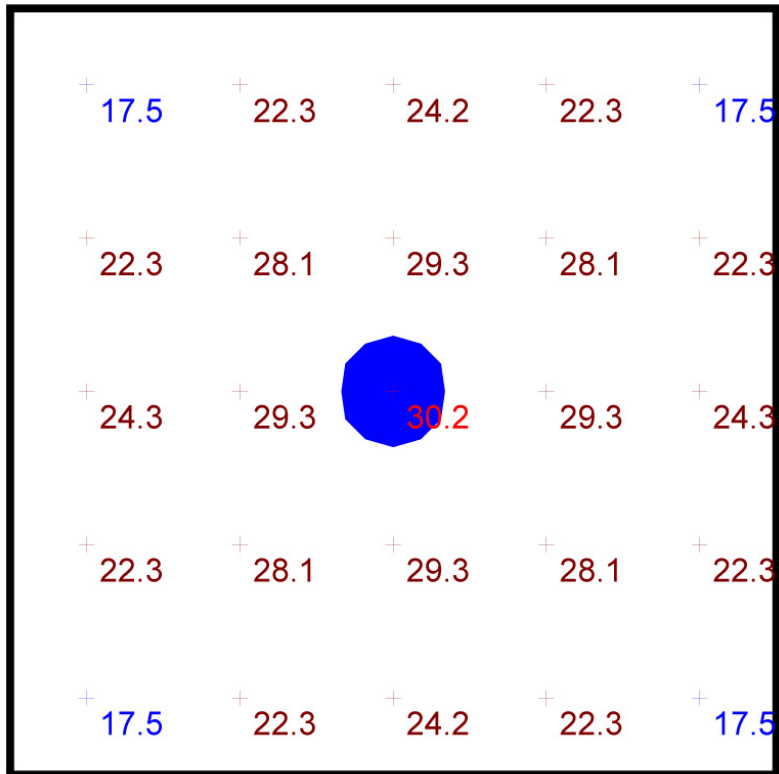
ceiling mount

min!skrt™ 5-slider



performance

Statistics						
Description	Symbol	Avg	Max	Min	Max/Min	Avg/Min
ceiling min!skrt	+	24.2 fc	30.2 fc	17.5 fc	1.7:1	1.4:1



Plan View
Scale - 1" = 2ft

- 10' x 10' x 10'H space
- 80/50/20 reflectances
- bottom of fixture at 9'3" aff
- FC readings at 2.5' aff
- layout conducted using C6116-A, acrylic diffuser, HI lumen package (3970 delivered lumens)

ceiling mount

min!skrt™ 5-slider





Powder Coat Paint Finishes		
MW matte white	CP champagne	YO yellow 1018
TW textured white	BZ bronze	RD red 3020
AP anodized paint	BS brass	BU blue 5017
SS satin silver	GM gun metal	OR orange 2011
TG textured gray	BR brick red	MN mint 6019
FB flat black	BN brown 8023	GR green 6018
SB satin black	MB military blue	PL purple 4006



www.impactltg.com

- spec sheet and color chart
- photometric files and BIM models
- built to order in Saint Louis, MO, USA
- 4-week lead time

ceiling mount

min!skrt™ 5-slider

