

job name:   
 type:

## sq.air™ LED spec sheet

### material

#### housing

brake formed and welded aluminum.

#### diffuser

.125" virgin gloss white acrylic panels.

### optics

#### reflector

.050 aluminum painted high reflectance powder coat matte white.

#### lamp lens

.125" P95 frost acrylic lens.

### efficiency

constant current driver operates LED consistently, regulating the current flow through it to produce the most consistent light output and efficiency. constant current driver protects LEDs from voltage fluctuations in the building power system, eliminating stress from over voltage, inrush surges, and flicker from voltage fluctuations, assuring long service life.

### LED

custom LED board in 3000K, 3500K, or 4000K (80 cri). under normal operating conditions, the LEDs employed are rated for >36,000hrs L70 (6.8K) per IES TM-21 from LM-80 test data, and 71,000hrs L70 projected life. white power cord is standard with other color options listed below.

### driver

Roal Strato series, class 2 power unit, built-in active PFC function, universal input (120-277 vac), 10% minimum dimming level, PF >80, protections include short circuit, over current, over voltage and over temperature. wired for 0-10v dimming from factory.

### mounting

5"dia. spun steel canopy in satin white. four point vertical suspension of 12 ft long stainless steel cables attach to trim with field adjustable grippers that allow for exact AFF mounting heights.

### emergency

emergency not available. if required, recommend use of inverter (by other).



## catalog number

--	--	--	--

### size

**P6826**  
(2ft) 26.75"dia X 12"ht

**P6838**  
(3ft) 38.75"dia X 14"ht

**P6848**  
(4ft) 48.75"dia X 16"ht

### LED array

**30LO** 3000K  
**30HI** 3000K

**35LO** 3500K  
**35HI** 3500K

**40LO** 4000K  
**40HI** 4000K

### finish

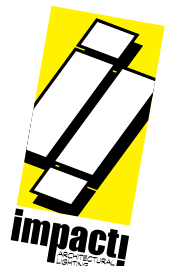
**AP** anodized paint  
**BR** brick red  
**BU** blue  
**BZ** bronze  
**CP** champagne  
**MB** military blue  
**MN** mint  
**MW** matte white  
**OR** orange  
**RD** red  
**SB** satin black  
**SS** satin silver  
**TG** textured gray  
**TW** textured white  
**YO** yellow

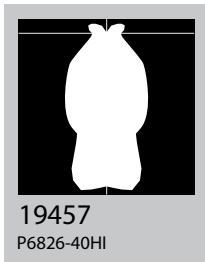
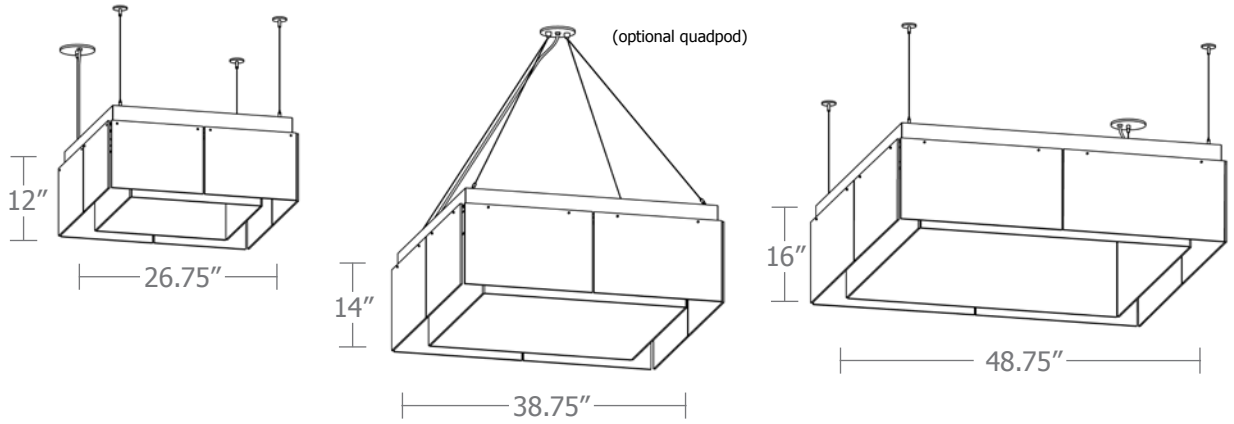
### Premium Finish

**RAL** specify RAL#

### options

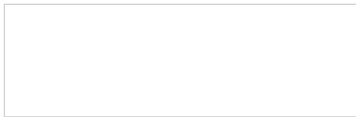
**BKPC** Black power cord and canopy  
**SBPC** Silver braid power cord and white canopy



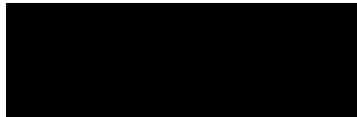


Cat No	Delivered Lumens	Watts		Amps	
		120V	277V	120V	277V
<b>P6826 LO</b>		30	30	0.25	0.11
4000K	2809				
3500K	2640				
3000K	2106				
<b>P6826 HI</b>		55.8	55.8	0.47	0.20
4000K	5461				
3500K	5133				
3000K	4096				
<b>P6838 LO</b>		37	37	0.31	0.13
4000K	3414	ies file # 19457			
3500K	3209				
3000K	2506				
<b>P6838 HI</b>		73	73	.61	0.26
4000K	6827				
3500K	6417				
3000K	5120				
<b>P6848 LO</b>					
4000K					
3500K					
3000K					
<b>P6848 HI</b>					
4000K					
3500K					
3000K					

## Powder Coat Paint Finishes



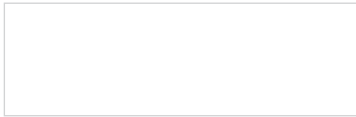
**MW** matte white



**SB** satin black



**YO** yellow 1018



**TW** textured white



**CP** champagne



**RD** red 3020



**AP** anodized paint



**BZ** bronze



**BU** blue 5017



**SS** satin silver



**BR** brick red



**OR** orange 2011



**TG** textured gray



**MB** military blue



**MN** mint 6019

For accurate color verification, actual finish samples are available upon request.

## Premium Finishes



**RAL#**

