

job name:
 type:

i.rod™ fluorescent spec sheet

material

end caps
 precision CNC spun .063" aluminum, powder coat painted matte white.

optics
diffuser

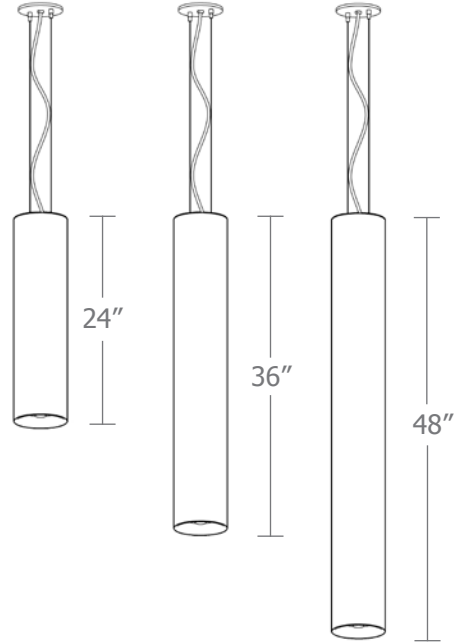
6" dia. .100" virgin gloss white acrylic cylinder.

electrical

factory installed universal voltage (120-277v), thermally protected, class P, electronic ballast. white power cord is standard with other color options listed below.

mounting

5"dia. spun steel canopy in satin white with dual 12ft stainless steel cables and field adjustable grippers that allow for exact AFF mounting heights.



catalog number

--	--	--

size	lamping	options
P9424 (2ft) 6"dia X 24"ht	(2ft) 214 2-14W T5	BKPC Black power cord and canopy SBPC Silver braid power cord and white canopy
P9436 (3ft) 6"dia X 36"ht	(3ft) 221 2-21W T5	
P9448 (4ft) 6"dia X 48"ht	(4ft) 228 2-28W T5	

