

circ.us™ fluorescent spec sheet

material

housing

precision CNC spun .063" aluminum. rolled bottom edge for added strength.

diffuser

.125" matte white acrylic panels.

optics

reflector

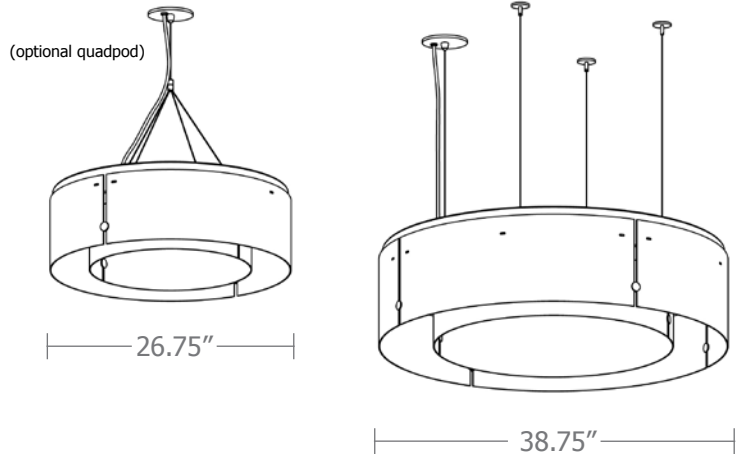
22 gauge aluminum powder coat painted high reflectance white.

electrical

pre-wired for single circuit with factory installed universal voltage (120-277v), thermally protected, class P, electronic ballast. white power cord is standard with other color options listed below.

mounting

5"dia. spun steel canopy in satin white. four point vertical suspension of 12 ft long stainless steel cables attach to trim with field adjustable grippers that allow for exact AFF mounting heights. optional quadpod to single point cable suspension.



catalog number

--	--	--	--

size

P6726 (2ft) 26.75"dia X 9"ht

P6738 (3ft) 38.75"dia X 11"ht

lampping

(2ft)
618 6-18W FT/2G11

(3ft)
824 8-24/27W FT/2G11

finish

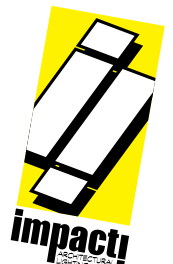
- AP** anodized paint
- BR** brick red
- BU** blue
- BZ** bronze
- CP** champagne
- MB** military blue
- MN** mint
- MW** matte white
- OR** orange
- RD** red
- SB** satin black
- SS** satin silver
- TG** textured gray
- TW** textured white
- YO** yellow

Premium Finish

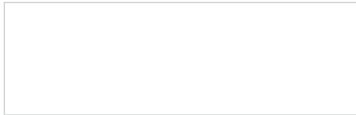
- BA** brushed aluminum
- RAL** specify RAL#
- KNP** knotty pine
- MED** mediterranean
- MHG** mahogany
- MPL** maple
- WAL** walnut
(extended lead time typical for wood finishes)

options

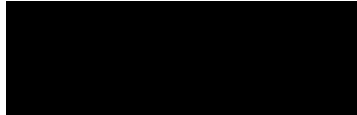
- QPD** Quadpod hanging system
- BKPC** Black power cord and canopy
- SBPC** Silver braid power cord and white canopy



Powder Coat Paint Finishes



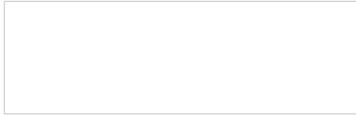
MW matte white



SB satin black



YO yellow 1018



TW textured white



CP champagne



RD red 3020



AP anodized paint



BZ bronze



BU blue 5017



SS satin silver



BR brick red



OR orange 2011



TG textured gray



MB military blue



MN mint 6019

For accurate color verification, actual finish samples are available upon request.

Premium Finishes*



BA brushed aluminum



RAL#



MED mediterranean



KNP knotty pine



MPL maple



WAL walnut



MHG mahogany

For accurate color verification, actual finish samples are available upon request.

*Available on select series. Consult product spec sheet for availability.

(extended lead time typical for wood finishes)

